

INSTALLATION OF THE ADF ADAPTER PLUG

⚠ DANGER!

ELECTRICAL SHOCK HAZARD. Turn off power to the area where you will install this unit at the circuit breaker or fuse box before beginning installation. Failure to turn off the power before installation may result in serious electrical shock, injury or death. Do not restore power until all Smoke Alarms are completely installed.

⚠ WARNING!

- Installation of this unit must conform to the electrical codes in your area; Article 760 of NFPA 70 (NEC), NFPA 72, NFPA 101; SBC (SBCCI); UBC (ICBO); NBC (BOCA); OTFDC (CABO), and any other local or building codes that may apply. Wiring and installation must be performed by a licensed electrician. Failure to follow these guidelines may result in injury or property damage.
- This unit must be powered by a 24-hour, 120VAC pure sine wave 60Hz circuit. Be sure the circuit cannot be turned off by a switch, dimmer, or ground fault circuit interrupter. Failure to connect this unit to a 24-hour circuit may prevent it from providing constant protection.

IMPORTANT!

For all other Smoke Alarm information, instructions and warnings, refer to the Smoke Alarm User's Manual.

COMPATIBLE BRK® MODELS

All of the listed BRK® and First Alert® Alarms are compatible with the listed FIREX® Alarms and will work with the enclosed Adapter Plugs.

BRK® Alarms

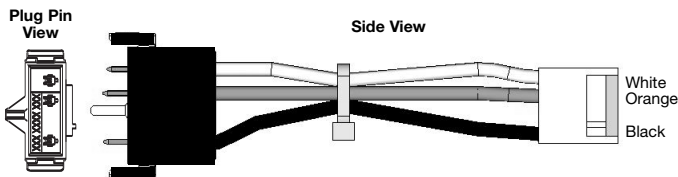
4120, 9120 Series – AC, AC/DC Ion, Silence
 5919 – AC Photo
 2002RAC – AC/DC Photo
 7010 Series – AC, AC/DC Photo, Silence
 SC6120B, SC9120B – AC/DC Smoke/CO Combo
 HD6135FB – Heat Alarm
 RM3 – Auxiliary Relay

FIREX®

406 (Model #G-6) – AC Ion
 4518 (Model #ADC) – AC/DC Ion, Battery in Rear
 4618 (Model #FADC) – AC/DC Ion
 5000 (Model #FADC) – AC/DC Ion, Latching LED
 484 (Model #PG-40) – AC Photo
 4480 (Model #PAD) – AC/DC Photo
 5700 (Model #ADH) – Heat Alarm
 499 – Auxiliary Relay

- Maximum of only 12 units (except model G-6) may be interconnected. Check for model numbers above.

Adapter Plug (ADF) Diagram for FIREX® Models:



NOTE: Twist tie should not be removed.

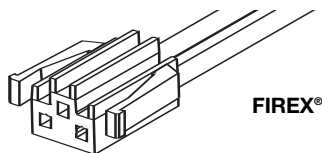
NOTE: ADAPTER PLUG CANNOT BE USED TO CONNECT FIREX® CARBON MONOXIDE ALARMS.

THE ABOVE MODELS OF FIREX® ARE THE ONLY MODELS THAT MAY BE INTERCONNECTED USING ONE OF THE ADAPTER PLUGS INCLUDED. IF THE MODEL IS NOT LISTED, IT MUST BE REMOVED FROM THE SYSTEM.

NOTE:

INCOMPATIBLE POWER CONNECTORS:

**DO NOT ATTEMPT
INSTALLATION**



FIREX®

NOTE: Adapter Plug can be used on FIREX® Models manufactured on or before January 1, 2004.



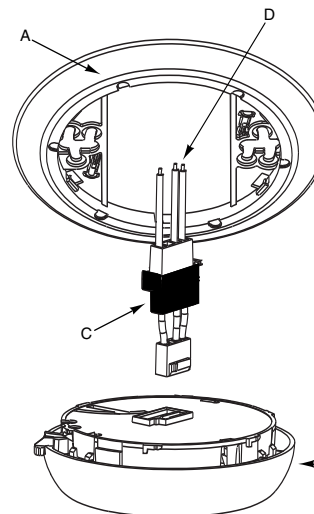
INSTALLATION INSTRUCTIONS

1. Verify which **MODELS** are installed in your system to determine if they are compatible with the ADF Adapter Plug (see part C below).
2. Turn off AC power.
3. Remove unit. Remove old mounting bracket.
4. Install new mounting bracket (see part A below).
5. Connect the black end of the Adapter Plug to the existing power connector (connect part C to part D as shown below).

NOTE: There may not be enough room for the Adapter Plug and additional wiring to fit in the junction box. If not, the old power connector must be removed and replaced with a First Alert® Power Connector.

6. Connect the other end of the Adapter Plug to the appropriate Smoke Alarm (connect part C to part B as shown below).
7. Check all connections. Make sure all plugs are completely connected and snapped together. Ensure the Adapter Plug is securely connected to the existing Power Connector.
8. Install the base of the Smoke Alarm to the mounting bracket.
9. Restore power to the junction box.
10. Test each Smoke Alarm. Press and hold the test button until the unit alarms. **When testing a series of interconnected units you must test each unit individually. Make sure all units alarm when each one is tested.**

The Parts of This Installation



- A Mounting Bracket
- B BRK® 4120, 9120 Series Smoke Alarm
- C ADF Adapter
- D Existing compatible power connector

Electrical Rating:
120V AC, 100mA Maximum
Not for Current Interruption

Independent evaluation of the Adapter Plug and interconnect compatibility was performed by Intertek, a division of ETL SEMKO.

RECOGNIZED
COMPONENT
CONFORMS TO
UL STANDARD 1977



© 2007 BRK Brands, Inc., a Jarden Corporation company (NYSE: JAH)
 3901 Liberty Street Road, Aurora, IL 60504-8122
 All rights reserved.
 Consumer Affairs: (800) 323-9005 • www.firstalert.com • www.brkelectronics.com
 US Patent No.: 6,641,433 B2
 BRK® is a registered trademark of BRK Brands, Inc.
 First Alert® is a registered trademark of the First Alert Trust.
 Firex® is a registered trademark of Maple Chase Company.